

Safety



Electric shock hazard.

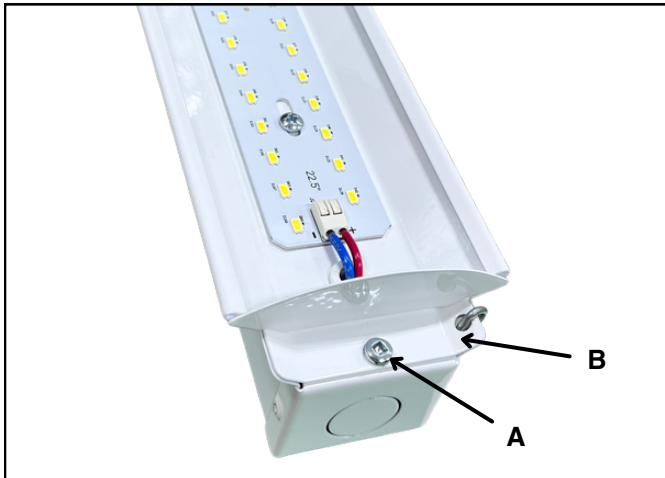
Installation must be performed by a licensed electrician and conform to all national and local electrical codes.

Disconnect electrical power at the fuse or circuit breaker before installation.

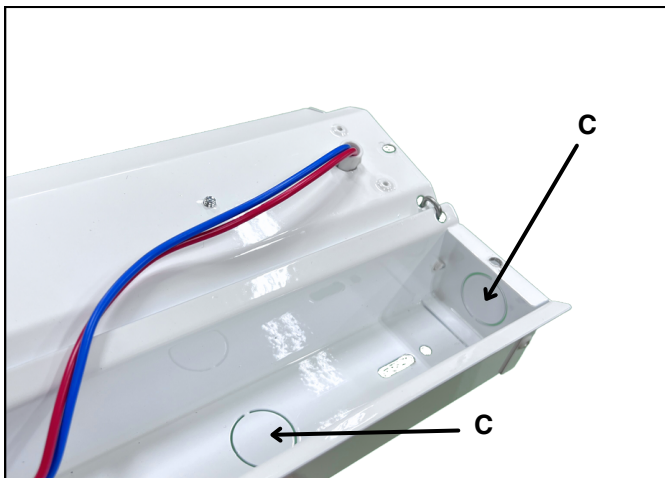
Do not alter or modify the fixture.

Prepare Fixture

1. Read label attached the fixture to determine that this fixture is correct for your electrical and mechanical application.
2. Disconnect electrical power at the fuse or circuit breaker for the circuit where fixture will be installed.
3. Determine fixture location, mounting, wiring requirements and wire routing.
4. Remove screws (A) and cover (B).



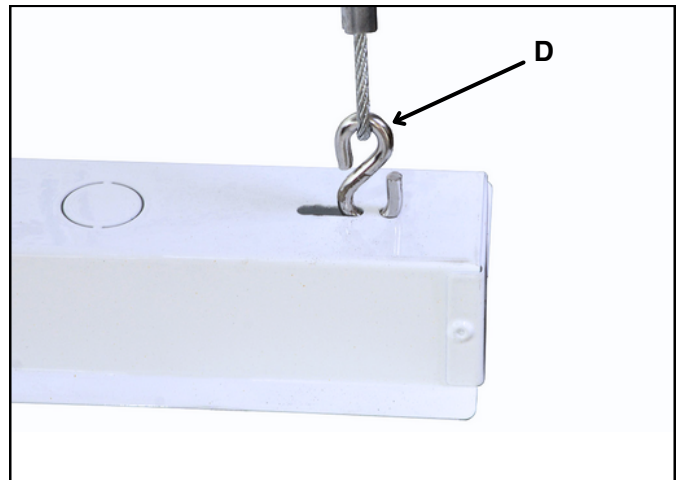
Depending on fixture location and wiring requirements, remove appropriate knockout plug (C).



5. If incoming power supply is household romex wire, install appropriate wire coupler/clamp (not included) into housing where knockout plug was removed.
If incoming wire will be in conduit, install conduit coupler (not included) into housing where knockout plug was removed.

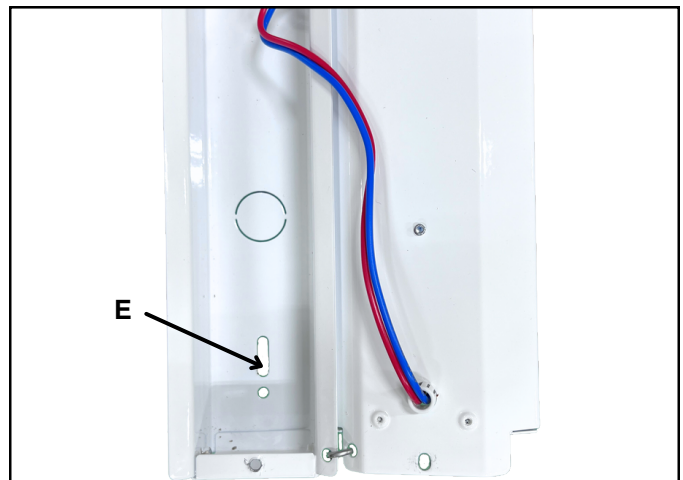
Hanging Installation

1. Insert hooks (D) in fixture as shown.
2. Attach your chain, cable or other device appropriate for your fixture to hooks (D).
3. Crimp both ends of hooks (D). Verify mounting is secure.



Surface Installation

1. Install fixture to wall or ceiling using screws (E) or other secure fasteners.

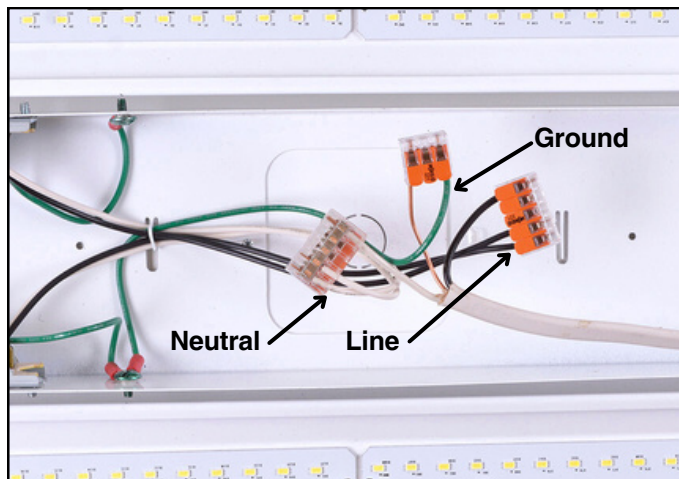


continued on next page..

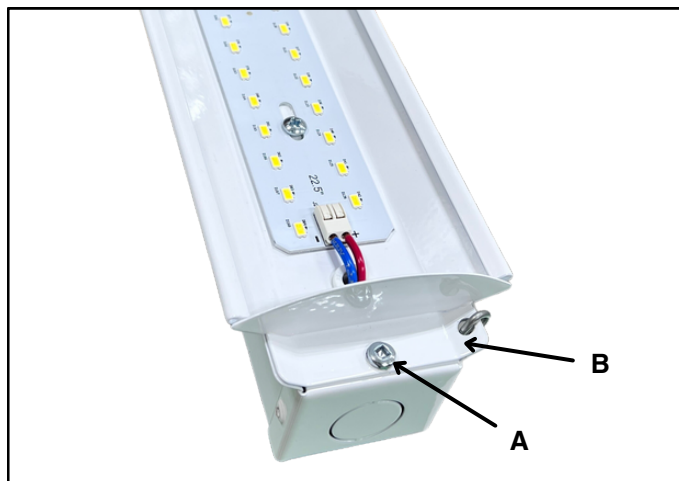
Linear 4' - Installation Guide

Wiring the Fixture

1. Route incoming power supply through coupler or conduit.
2. Strip approximately 0.5 in. (13mm) insulation off the power supply wires.
3. Open the empty clamp on each connector.
4. Insert power supply black wire (**line**) into connector with black wire. Close clamp on connector.
5. Insert power supply white wire (**neutral**) into connector with white wire. Close clamp on connector.
6. Insert power supply green wire (**ground**) into connector with green wire. Close clamp on connector.



7. Carefully tuck wires into housing, install cover (**B**) and screws (**A**).



8. Test and ensure operation.