



SP Series

4' Linear Commercial/Industrial Grade Lowbay

2,000-10,000 Lumens



Project: _____

Location: _____

Cat.No: _____

Notes: _____

Product Description

The SP Series Linear 4' fixture is meticulously engineered to provide expansive illumination with a wide distribution angle, making it perfect for applications needing broad coverage on medium to low ceilings. It offers versatility with multiple lumen packages and mounting options. Its innovative design facilitates easy row mounting, transforming two fixtures into an 8-foot unit, suitable for installation heights ranging from 6 to 20 feet. Handcrafted in Ontario, Canada, it represents the ideal choice for your lighting requirements.

Application

This unit is a great option for industrial, commercial or agricultural applications such as metal fabricating shops, mezzamines, garages, offices, hallway's, workbenches, grocery stores, tool stores, retail stores, airplane hangers, repair rooms, hobby shops and many more. Recommended Installation Height Is 6 to 20 Feet.

Features

- Configurations exceeding 160 lm/w
- End to end mountable for 8 foot fixture
- Standard 0-10V dimming for control/precision
- Robust LED boards made in house by JW LED Inc.

Options

- Wide range of lumen outputs
- Variety of motion sensors or controls
- Customizable color temperature or CRI values
- Pre-wired whips for quick installation

Mounting

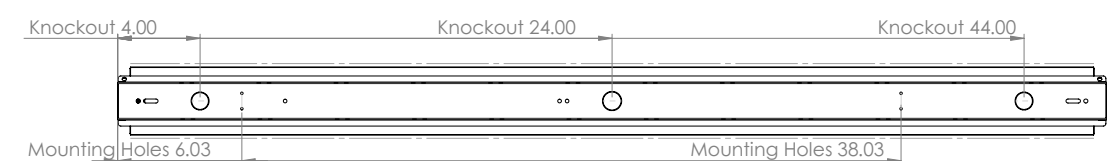
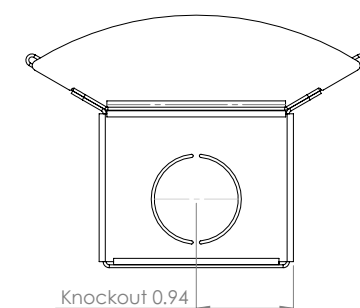
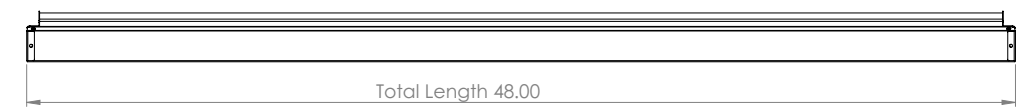
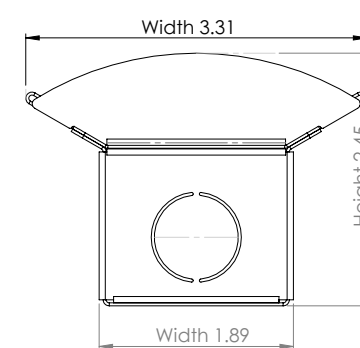
- Surface mount (This unit can be mounted directly to any ceiling or wall)
- Suspension mount (Chain mounting compatible by default)

Approvals

Approved for use in Canada and USA, QPS Certified

Warranty

Standard 5 year warranty, view our warranty policy for full details



Ordering Guide

Example: SP4-8C50K097L-UNVD1NW-NLSM

SP4	CRI	CCT	Lumens	Voltage	Driver	0-10V Wiring	Lens	Mounting
	8C 80	30K 3000K	097L 9,750 Lumens	UNV 120-277V	D1 0-10V 1%	NW Not Wired for DIM	NL No Lens	SM Surface or Chain Mountable
	9C 90	40K 4000K	080L 8,000 Lumens	347 347V		PW Pre-Wired for DIM	FS Frosted Smooth	
		50K 5000K	060L 6,000 Lumens					
		65K 6500K	040L 4,000 Lumens					
			020L 2,000 Lumens					

Options

- Blank** None
- RTP** Retail Packaging
- CD3** 3' Whip Pre-Wired (Black)
- CP3** 3' Cord Male Plug (Black)
- CP5** 5' Cord Male Plug (Black)
- SN1** PIR Motion Sensor

Accessories



Order Code: LNS0008

Frosted smooth acrylic lens diffuser

Specification Chart

Lumens	Watts	Color	CRI
9,750	61	5000K	80
8,000	49	5000K	80
6,000	37	5000K	80
4,000	24	5000K	80
2,000	12	5000K	80

Testing is based on ambient 25c. As nominal calculations, actual outputs may vary based on product configurations. We reserve the right to correct any printing errors or mistakes in our tables