



FL Series

LED Flood Light With Occupancy Sensor

6,500 - 26,000 Lumens

Project: _____

Location: _____

Cat.No: _____

Notes: _____

Product Description

The FL Series flood lights are perfect for outdoor lighting, available in 50 to 200 Watt options. Their U-bracket support makes installation quick and easy, and a built-in occupancy sensor saves energy by automatically turning the light off during the day and on at night. Pre-wired with a 5-foot cord and male plug, they can be effortlessly plugged in or wired into a junction box. Designed for broad, efficient illumination, the FL Series combines convenience with excellent performance.

Application

This unit excels in outdoor industrial, commercial and agricultural settings where protection against Canadian climate is crucial. Installed in areas such as parking lots, barn yards, outdoor hockey rinks, volleyball courts, general yards and many more. It's an exceptional choice for outdoor environments.

Features

- Yoke mount for easy installation
- Occupancy Sensor/Daylight Sensor
- Wide light spread for your outdoor projects

Options

- Wide range of lumen outputs
- Various wattages
- Pre-wired cords for quick installation

Mounting

- Surface mount (This unit can be mounted directly to any ceiling or wall)

Approvals

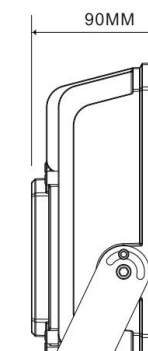
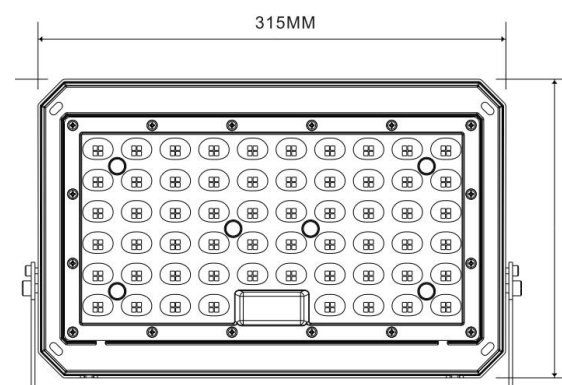
Approved for use in Canada and USA

Warranty

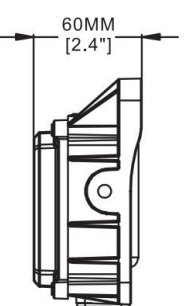
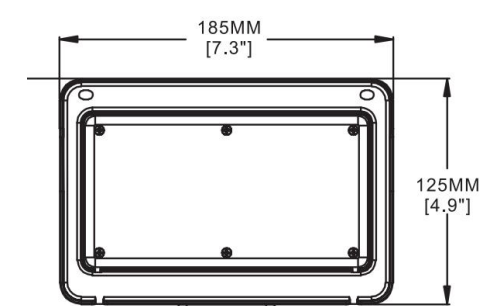
Standard 5 year warranty, view our warranty policy for full details



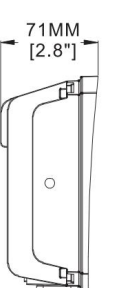
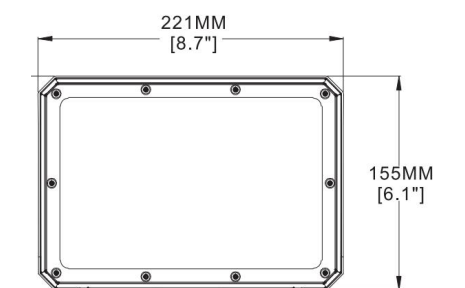
150/200 Watt



50 Watt



80/100 Watt



Ordering Guide

Example: FL050-7C50K065L-UNVC1-CPUBPS

FL	Type	CRI	CCT	Lumens	Voltage	Wiring
	200 200 Watts	7C 70CRI	50K 5000K	260L 26,000 Lumens (200 Watt)	UNV 120-277V	C1 5' Cord With Plug
	150 150 Watts			195L 19,500 Lumens (150 Watt)		
	100 100 Watts			130L 13,000 Lumens (100 Watt)		
	080 080 Watts			104L 10,400 Lumens (80 Watt)		
	050 050 Watts			065L 6,500 Lumens (50 Watt)		

Lens	Mounting	Control	Options
CP Clear Polycarbonate	UB U-Bracket	PS Dusk to Dawn Sensor	(Blank) None RTP Retail Packaging

Specification Chart

Lumens	Watts	Color	CRI
6,500	50	5000K	80
10,400	80	5000K	80
13,000	100	5000K	80
19,500	150	5000K	80
26,000	200	5000K	80

Testing is based on ambient 25c. As nominal calculations, actual outputs may vary based on product configurations. We reserve the right to correct any printing errors or mistakes in our tables