



IN Series

Linkable LED Strip Lights

1,900-2,800 Lumens

Project: _____
 Location: _____
 Cat.No: _____
 Notes: _____

Product Description

The IN Series luminaires are the epitome of versatility and ease of installation. Designed for general use, these fixtures feature a user-friendly plug-and-play setup that makes them ideal for retail environments, where quick and effortless installation is key. With a range of color and cord options, you can effortlessly customize the lighting to match any aesthetic. Plus, the IN Series luminaires can be seamlessly linked together to create a continuous row, offering a sleek and adaptable lighting solution for any space.

Application

These fixtures are incredibly versatile, making them suitable for a wide range of settings. Whether you need lighting under shelves, above workbenches, in offices, lunchrooms, or under cabinets, these luminaires fit the bill. They are also perfect for illuminating under racking, storage rooms, and containers, among many other applications.

Features

- Easy plug and play setup
- User friendly install
- Sleek design

Options

- 3 foot power cable with on/off switch
- 12, 39 and 59 inch extension/jumper cords
- Row mounting (Maximum 9pcs 4 foot or 13pcs 2 foot per row)
- 2 foot or 4 foot lengths available

Mounting

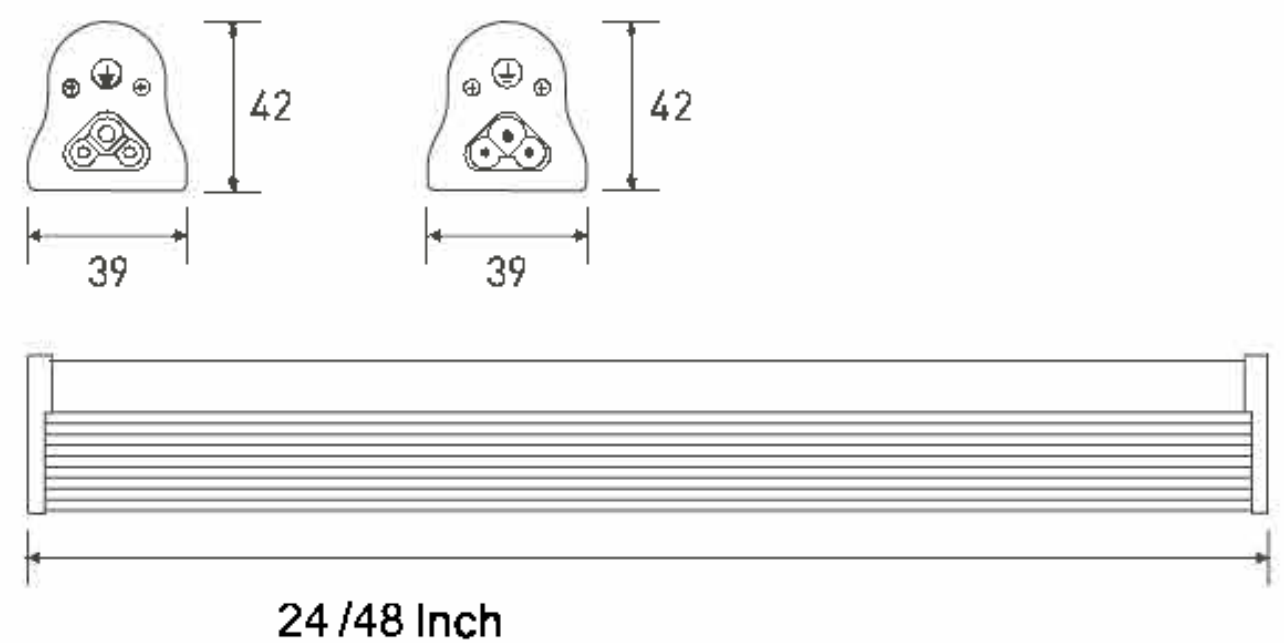
- Surface mount (This unit can be mounted directly to any ceiling or wall)
- Simple installation (Mounting clips included)
- Row mounting (Maximum 9pcs 4 foot or 13pcs 2 foot per row)

Approvals

Approved for use in Canada and USA

Warranty

5 year warranty, view our warranty policy for full details

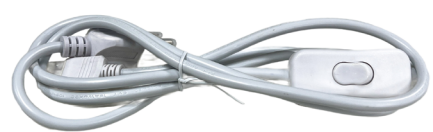


Ordering Guide

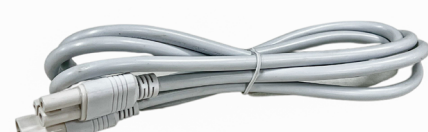
Example: *IN4-8C50K028L-UNVND-FSSM*

IN	Fixture Length	CRI	CCT	Lumens	Voltage	Driver	Lens	Mounting
	4 4 Foot 2 2 Foot	8C 80 CRI	50K 5000K 65K 6500K	028L 2,800 Lumens (4 Foot) 019L 1,900 Lumens (2 Foot)	UNV 120-277V	ND Non Dimmable	FS Frosted Smooth Lens	SM Surface Mount Clips Included

Accessories



Order Code: WIR0010
 3 foot power cord with a on/off switch and male plug



Order Code: WIR0012
 39 Inch jumper/extension cord



Order Code: WIR0011
 59 Inch jumper/extension cord



Order Code: WIR0013
 12 Inch jumper/extension cord

Specification Chart

Lumens	Watts	Color	CRI
2,800	22	5000K	80
1,900	15	5000K	80

Testing is based on ambient 25c. As nominal calculations, actual outputs may vary based on product configurations. We reserve the right to correct any printing errors or mistakes in our tables