



JW LED

CANADIAN MADE LIGHTING PRODUCTS
COMMERCIAL • AGRICULTURAL • INDUSTRIAL

CONTENTS

BA SERIES LINEAR HIGH/LOW BAYS 2,000-39,000 Lumens	4-7
SP SERIES LINEAR STRIP 2,000-10,000 Lumens	8
LZ SERIES VAPOR TIGHTS 2,000-36,000 Lumens	9-12
WL SERIES WINGLIGHT POULTRY SERIES 2,000-8,000 Lumens	13-14
FL SERIES OUTDOOR FLOODLIGHT 6,500-26,000 Lumens	15
IN SERIES LINKABLE LED STRIP LIGHTS 1,900 -2,800 Lumens	16
RL SERIES T5/T8 LED LAMPS 1,400-2,800 Lumens	17-18
GR SERIES LED GROW LIGHTS 40 UMOL.....	19
CB SERIES LED CORN BULBS 2,600-13,000 Lumens	20
GL SERIES LED SCREW IN BULBS 800-4,500 Lumens.....	21



BA Series

1'x4' Commercial/Industrial Grade Highbay

10,000-19,500 Lumens



Project: _____

Location: _____

Cat.No: _____

Notes: _____

Product Description

The BA Series 1'x4' fixture is precision-engineered for expansive illumination with a wide 120-degree distribution angle, making it ideal for applications requiring broad coverage. Designed for mid to high ceilings, it offers versatility with various lumen packages and mounting options. Its robust thermal design ensures reliable performance in challenging conditions, suitable for installation heights from 15 to 30 feet. Handcrafted in Ontario, Canada, it's the ideal choice for your lighting needs.

Application

This unit is a great option for industrial, commercial or agricultural buildings such as metal fabricating shops, woodworking shops, storage sheds, warehouses, drive sheds, on farm shop's, grocery stores, tool stores, airplane hangers, hockey rinks, hobby shops and many more. Recommended Installation Height Is 15 to 30 Feet.

Features

- Configurations exceeding 160 lm/w
- Slim profile 1.75" thick for tight fit spaces
- Standard 0-10V dimming for control/precision
- Robust LED boards made in house by JW LED Inc.

Options

- Wide range of lumen outputs
- Variety of motion sensors or controls
- Customizable color temperature or CRI values
- Pre-wired whips for quick installation

Mounting

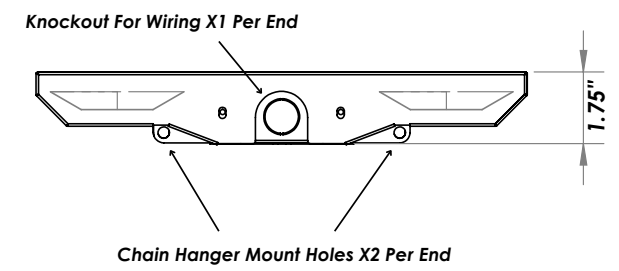
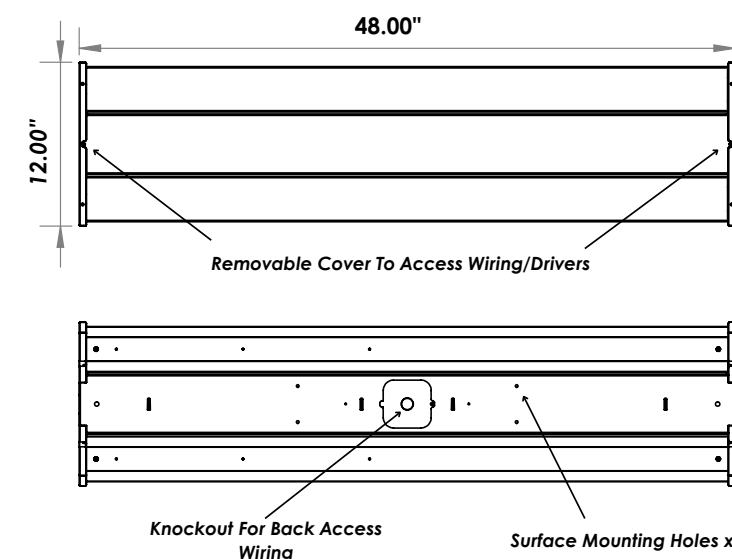
- Surface mount (This unit can be mounted directly to any ceiling or wall)
- Suspension mount (Add the chain hangers in the ordering code)

Approvals

Approved for use in Canada and USA, QPS Certified

Warranty

Standard 5 year warranty, view our warranty policy for full details



Ordering Guide

Example: BA14-8C50K195L-UNVD1NW-NLSM

BA14	CRI	CCT	Lumens	Voltage	Driver	0-10V Wiring	Lens	Mounting	Options
	8C 80	30K 3000K	195L 19,500 Lumens	UNV 120-277V	D1 0-10V 1%	NW Not Wired for DIM	NL No Lens	SM Surface Mount	Blank None
	9C 90	40K 4000K	184L 18,400 Lumens	347 347V		PW Pre-Wired for DIM	FS Frosted Smooth	CH Chain Hanger Hooks	RTP Retail Packaging
		50K 5000K	137L 13,700 Lumens						CD3 3' Whip Pre-Wired (Black)
		65K 6500K	100L 10,000 Lumens						MS5 Motion Sensor for Aisleway ^{4,5}
									MS4 Motion Sensor for 360 ^{4,5}

Accessories



Order Code: HDW0001

Chain hanger hook for quick chain connect



Order Code: LNS0008

Frosted smooth acrylic lens diffuser

Specification Chart

Lumens	Watts	Color	CRI
19,500	122	5000K	80
18,400	113	5000K	80
13,700	84	5000K	80
10,000	61	5000K	80

Testing is based on ambient 25c. As nominal calculations, actual outputs may vary based on product configurations. We reserve the right to correct any printing errors or mistakes in our tables



BA Series

2'x4' Commercial/Industrial Grade Highbay

27,000 to 39,000 Lumens



Project: _____
 Location: _____
 Cat.No: _____
 Notes: _____

Product Description

The BA Series 2'x4' fixture is precision-engineered for expansive illumination with a wide 120-degree distribution angle, making it ideal for applications requiring broad coverage. Designed for mid to high ceilings, it offers versatility with various lumen packages and mounting options. Its robust thermal design ensures reliable performance in challenging conditions, suitable for installation heights from 20 to 50 feet. Handcrafted in Ontario, Canada, it's the ideal choice for your lighting needs.

Application

This unit is a great option for industrial, commercial or agricultural buildings such as metal fabricating shops, woodworking shops, storage sheds, warehouses, drive sheds, on farm shop's, grocery stores, tool stores, airplane hangers, hockey rinks, hobby shops and many more. Recommended Installation Height Is 20 to 50 Feet.

Features

- Configurations exceeding 160 lm/w
- Slim profile 1.75" thick for tight fit spaces
- Standard 0-10V dimming for control/precision
- Robust LED boards made in house by JW LED Inc.

Options

- Wide range of lumen outputs
- Variety of motion sensors or controls
- Customizable color temperature or CRI values
- Pre-wired whips for quick installation

Mounting

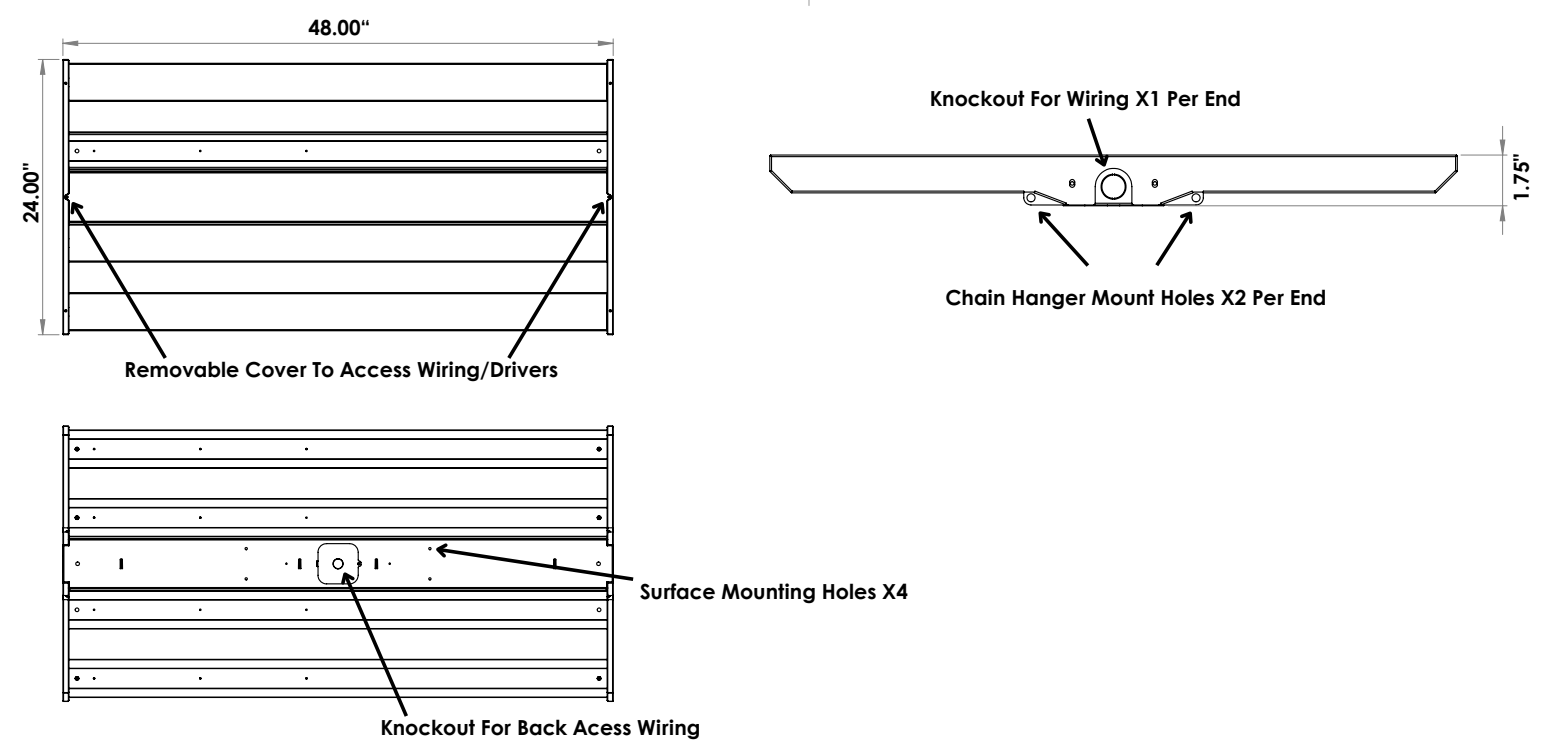
- Surface mount (This unit can be mounted directly to any ceiling or wall)
- Suspension mount (Add the chain hangers in the ordering code)

Approvals

Approved for use in Canada and USA, QPS Certified

Warranty

Standard 5 year warranty, view our warranty policy for full details



Ordering Guide

Example: BA24-8C50K195L-UNVD1NW-NLSM

BA24	CRI	CCT	Lumens	Voltage	Driver	0-10V Wiring	Lens	Mounting	Options
	8C 80	30K 3000K	390L 39,000 Lumens	UNV 120-277V	D1 0-10V 1%	NW Not Wired for DIM	NL No Lens	SM Surface Mount	Blank None
	9C 90	40K 4000K	360L 36,000 Lumens	347 347V		PW Pre-Wired for DIM	FS Frosted Smooth	CH Chain Hanger Hooks	RTP Retail Packaging
		50K 5000K	330L 33,000 Lumens						CD3 3' Whip Pre-Wired (Black)
		65K 6500K	300L 30,000 Lumens						MS5 Motion Sensor for Aisleway ^{4,5}
			270L 27,000 Lumens						MS4 Motion Sensor for 360 ^{4,5}
									RBP Reflectance Back PLate

Accessories



Order Code: HDW0001
 Chain hanger hook for quick chain connect



Order Code: LNS0008
 Frosted smooth acrylic lens diffuser

Specification Chart

Lumens	Watts	Color	CRI
39,000	240	5000K	80
36,000	222	5000K	80
33,000	203	5000K	80
30,000	185	5000K	80
27,000	166	5000K	80

Testing is based on ambient 25c. As nominal calculations, actual outputs may vary based on product configurations. We reserve the right to correct any printing errors or mistakes in our tables



BA Series

2'x2' Commercial/Industrial Grade Highbay

10,000-19,500 Lumens



Project: _____
 Location: _____
 Cat.No: _____
 Notes: _____

Product Description

The BA Series 2'x2' fixture is precision-engineered for expansive illumination with a wide 120-degree distribution angle, making it ideal for applications requiring broad coverage. Designed for mid to high ceilings, it offers versatility with various lumen packages and mounting options. Its robust thermal design ensures reliable performance in challenging conditions, suitable for installation heights from 15 to 30 feet. Handcrafted in Ontario, Canada, it's the ideal choice for your lighting needs.

Application

This unit is a great option for industrial, commercial or agricultural buildings such as metal fabricating shops, woodworking shops, storage sheds, warehouses, drive sheds, on farm shop's, grocery stores, tool stores, airplane hangers, hockey rinks, hobby shops and many more. Recommended Installation Height Is 15 to 30 Feet.

Features

- Configurations exceeding 160 lm/w
- Slim profile 1.75" thick for tight fit spaces
- Standard 0-10V dimming for control/precision
- Robust LED boards made in house by JW LED Inc.

Options

- Wide range of lumen outputs
- Variety of motion sensors or controls
- Customizable color temperature or CRI values
- Pre-wired whips for quick installation

Mounting

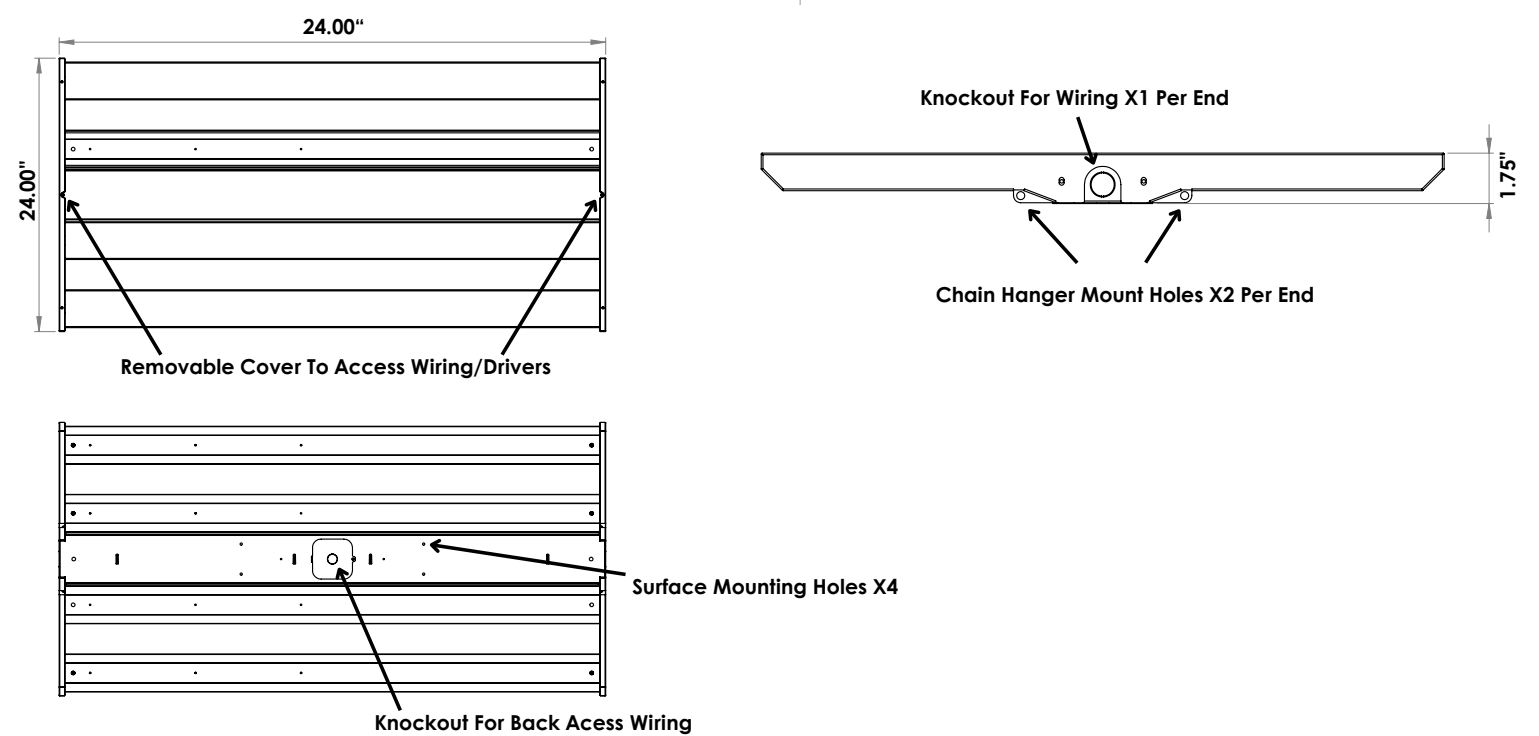
- Surface mount (This unit can be mounted directly to any ceiling or wall)
- Suspension mount (Add the chain hangers in the ordering code)

Approvals

Approved for use in Canada and USA, QPS Certified

Warranty

Standard 5 year warranty, view our warranty policy for full details



Ordering Guide

Example: BA22-8C50K195L-UNVD1NW-NLSM

BA22	CRI	CCT	Lumens	Voltage	Driver	0-10V Wiring	Lens	Mounting	Options
	8C 80	30K 3000K	195L 19,500 Lumens	UNV 120-277V	D1 0-10V 1%	NW Not Wired for DIM	NL No Lens	SM Surface Mount	Blank None
	9C 90	40K 4000K	184L 18,400 Lumens	347 347V		PW Pre-Wired for DIM	FS Frosted Smooth	CH Chain Hanger Hooks	RTP Retail Packaging
		50K 5000K	137L 13,700 Lumens						CD3 3' Whip Pre-Wired (Black)
		65K 6500K	100L 10,000 Lumens						MS5 Motion Sensor for Aisleway ^{4,5}
									MS4 Motion Sensor for 360 ^{4,5}

Accessories



Order Code: HDW0001
 Chain hanger hook for quick chain connect



Order Code: LNS0009
 Frosted smooth acrylic lens diffuser

Specification Chart

Lumens	Watts	Color	CRI
19,500	122	5000K	80
18,400	113	5000K	80
13,700	84	5000K	80
10,000	61	5000K	80

Testing is based on ambient 25c. As nominal calculations, actual outputs may vary based on product configurations. We reserve the right to correct any printing errors or mistakes in our tables



BA Series

1'x2' Commercial/Industrial Grade Lowbay

2,000 to 10,000 Lumens



Project: _____

Location: _____

Cat.No: _____

Notes: _____

Product Description

The BA Series 1'x2' fixture is precision-engineered for expansive illumination with a wide 120-degree distribution angle, making it ideal for applications requiring broad coverage. Designed for medium to low ceilings, it offers versatility with various lumen packages and mounting options. Its robust thermal design ensures reliable performance in challenging conditions, suitable for installation heights from 6 to 20 feet. Handcrafted in Ontario, Canada, it's the ideal choice for your lighting needs.

Application

This unit is a great option for industrial, commercial or agricultural buildings such as metal fabricating shops, woodworking shops, storage sheds, warehouses, drive sheds, on farm shop's, grocery stores, tool stores, airplane hangers, hockey rinks, hobby shops and many more. Recommended Installation Height Is 6 to 20 Feet.

Features

- Configurations exceeding 160 lm/w
- Slim profile 1.75" thick for tight fit spaces
- Standard 0-10V dimming for control/precision
- Robust LED boards made in house by JW LED Inc.

Options

- Wide range of lumen outputs
- Variety of motion sensors or controls
- Customizable color temperature or CRI values
- Pre-wired whips for quick installation

Mounting

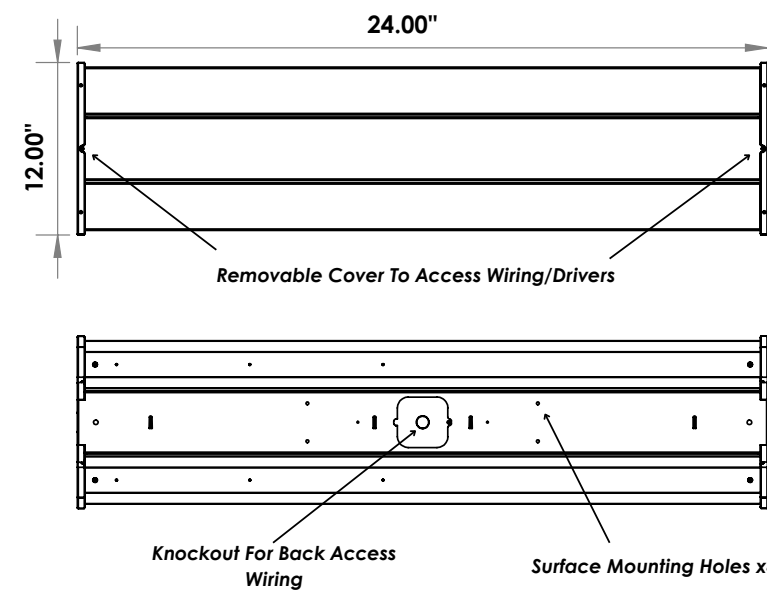
- Surface mount (This unit can be mounted directly to any ceiling or wall)
- Suspension mount (Add the chain hangers in the ordering code)

Approvals

Approved for use in Canada and USA, QPS Certified

Warranty

Standard 5 year warranty, view our warranty policy for full details



Ordering Guide

Example: BA12-8C50K195L-UNVD1NW-NLSM

BA12	CRI	CCT	Lumens	Voltage	Driver	0-10V Wiring	Lens	Mounting	Options
	8C 80	30K 3000K	097L 9,750 Lumens	UNV 120-277V	D1 0-10V 1%	NW Not Wired for DIM	NL No Lens	SM Surface Mount	Blank None
	9C 90	40K 4000K	080L 8,000 Lumens	347 347V		PW Pre-Wired for DIM	FS Frosted Smooth	CH Chain Hanger Hooks	RTP Retail Packaging
		50K 5000K	060L 6,000 Lumens						CD3 3' Whip Pre-Wired (Black)
		65K 6500K	040L 4,000 Lumens						MS5 Motion Sensor for Aisleway ^{4,5}
			020L 2,000 Lumens						MS4 Motion Sensor for 360° ^{4,5}

Accessories



Order Code: HDW0001
Chain hanger hook for quick chain connect



Order Code: LNS0009
Frosted smooth acrylic lens diffuser

Specification Chart

Lumens	Watts	Color	CRI
9,750	61	5000K	80
8,000	49	5000K	80
6,000	37	5000K	80
4,000	24	5000K	80
2,000	12	5000K	80

Testing is based on ambient 25c. As nominal calculations, actual outputs may vary based on product configurations. We reserve the right to correct any printing errors or mistakes in our tables



SP Series

4' Linear Commercial/Industrial Grade Lowbay

2,000-10,000 Lumens



Project: _____

Location: _____

Cat.No: _____

Notes: _____

Product Description

The SP Series Linear 4' fixture is meticulously engineered to provide expansive illumination with a wide distribution angle, making it perfect for applications needing broad coverage on medium to low ceilings. It offers versatility with multiple lumen packages and mounting options. Its innovative design facilitates easy row mounting, transforming two fixtures into an 8-foot unit, suitable for installation heights ranging from 6 to 20 feet. Handcrafted in Ontario, Canada, it represents the ideal choice for your lighting requirements.

Application

This unit is a great option for industrial, commercial or agricultural applications such as metal fabricating shops, mezzamines, garages, offices, hallway's, workbenches, grocery stores, tool stores, retail stores, airplane hangers, repair rooms, hobby shops and many more. Recommended Installation Height Is 6 to 20 Feet.

Features

- Configurations exceeding 160 lm/w
- End to end mountable for 8 foot fixture
- Standard 0-10V dimming for control/precision
- Robust LED boards made in house by JW LED Inc.

Options

- Wide range of lumen outputs
- Variety of motion sensors or controls
- Customizable color temperature or CRI values
- Pre-wired whips for quick installation

Mounting

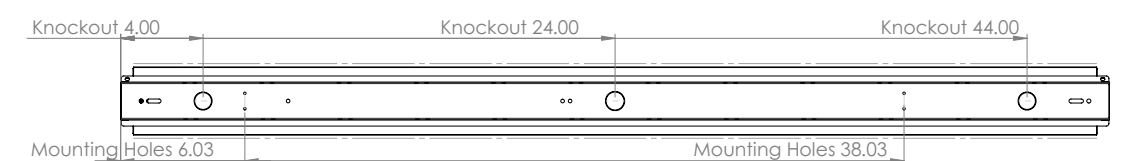
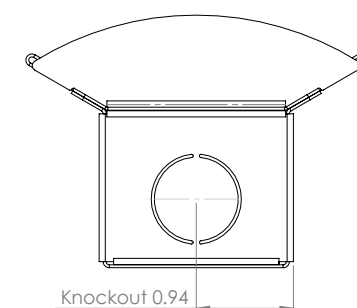
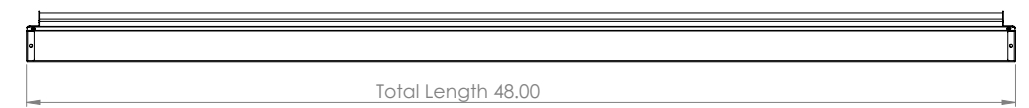
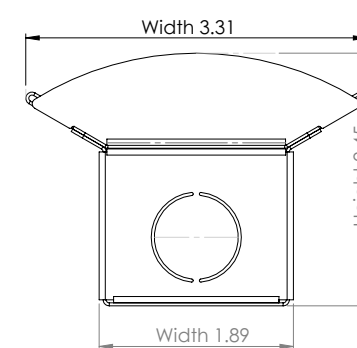
- Surface mount (This unit can be mounted directly to any ceiling or wall)
- Suspension mount (Chain mounting compatible by default)

Approvals

Approved for use in Canada and USA, QPS Certified

Warranty

Standard 5 year warranty, view our warranty policy for full details



Ordering Guide

Example: SP4-8C50K097L-UNVD1NW-NLSM

SP4	CRI	CCT	Lumens	Voltage	Driver	0-10V Wiring	Lens	Mounting
	8C 80	30K 3000K	097L 9,750 Lumens	UNV 120-277V	D1 0-10V 1%	NW Not Wired for DIM	NL No Lens	SM Surface or Chain Mountable
	9C 90	40K 4000K	080L 8,000 Lumens	347 347V		PW Pre-Wired for DIM	FS Frosted Smooth	
		50K 5000K	060L 6,000 Lumens					
		65K 6500K	040L 4,000 Lumens					
			020L 2,000 Lumens					

Options

- Blank** None
- RTP** Retail Packaging
- CD3** 3' Whip Pre-Wired (Black)
- CP3** 3' Cord Male Plug (Black)
- CP5** 5' Cord Male Plug (Black)
- SN1** PIR Motion Sensor

Accessories



Order Code: LNS0008

Frosted smooth acrylic lens diffuser

Specification Chart

Lumens	Watts	Color	CRI
9,750	61	5000K	80
8,000	49	5000K	80
6,000	37	5000K	80
4,000	24	5000K	80
2,000	12	5000K	80

Testing is based on ambient 25c. As nominal calculations, actual outputs may vary based on product configurations. We reserve the right to correct any printing errors or mistakes in our tables



LZ Series

Vaportight Narrow 4' Body

2,000 - 8,000 Lumens



Project: _____
 Location: _____
 Cat.No: _____
 Notes: _____

Product Description

The LZ Series Narrow Body 4' fixture is a sleek low profile vaportight fixture, ideal for applications needing extensive coverage on medium to low ceilings. It offers versatility with multiple lumen packages and mounting options, featuring various latch and lens styles. The casing is made in the USA with a robust build and a thick seal for durability in dusty or wet environments, it suits installation heights from 6 to 16 feet. Final assembly in Ontario, Canada ensures meticulous craftsmanship, making it the ideal lighting solution for your needs.

Application

This unit excels in industrial, commercial and agricultural settings where protection against water and dust is crucial. It thrives in applications such as washbays, dairy barns, sheep barns, horse barns, pig barns, welding factories, concrete factories, car washes, and more. Recommended for installation heights ranging from 6 to 16 feet, it's an exceptional choice for demanding environments.

Features

- Configurations exceeding 140 lm/w
- Robust LED boards made in-house by JW LED Inc.
- Standard 0-10V dimming for control/precision

Options

- Wide range of lumen outputs
- Variety of lens option's
- Customizable color temperature or CRI values
- Pre-wired whips (Specify in ordering code if required)

Mounting

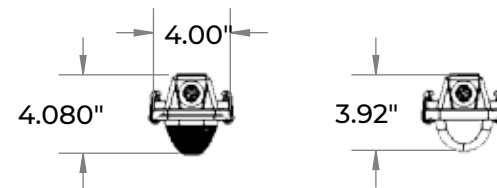
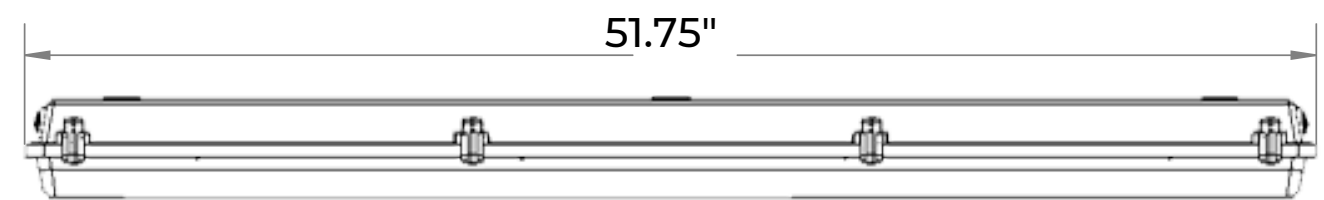
- Surface mount (This unit can be mounted directly to any ceiling or wall)
- Suspension mount (Chain mounting compatible by default)

Approvals

Approved for use in Canada and USA, QPS Certified, NSF Rated Components, Neema 4x rated

Warranty

Standard 5 year warranty, view our warranty policy for full details



Ordering Guide

Example: *LZN4-8C40K055L-UNVD1NW-FRPMMB*

CRI	CCT	Lumens	Voltage	Driver	0-10V Wiring	Lens	Latches	Mounting
8C 80	30K 3000K	080L 8,000 Lumens	UNV 120-277V	D1 0-10V 1%	NW Not Wired for DIM	CR Clear Ribbed	PM POM (Nylon Latches)	MB Surface/Chain Mount Brackets
9C 90	40K 4000K	055L 5,500 Lumens	347 347V		PW Pre-Wired for DIM	FR Frosted Ribbed	SS Stainless Steel Latches	NM No Mount Bracket's
	50K 5000K	040L 4,000 Lumens				CS Clear Smooth		
	65K 6500K	020L 2,000 Lumens				FS Frosted Smooth		

Options

- Blank** None
- RTP** Retail Packaging
- CD2** 2' Whip Pre-Wired (Black)
- CD3** 3' Whip Pre-Wired (Black)
- SN1** PIR Motion Sensor
- SN2** PIR Motion Sensor (IP66)

Specification Chart

Lumens	Watts	Color	CRI
8,000	56	5000K	80
5,500	37	5000K	80
4,000	27	5000K	80
2,000	14	5000K	80

Testing is based on ambient 25c. As nominal calculations, actual outputs may vary based on product configurations. We reserve the right to correct any printing errors or mistakes in our tables



LZ Series

Vaportight Standard 4' Body

9,000 - 17,800 Lumens



Project: _____

Location: _____

Cat.No: _____

Notes: _____

Product Description

The LZ Series Standard Body 4' fixture is a renowned vaportight fixture, ideal for applications needing extensive coverage on low to high ceilings. It offers versatility with multiple lumen packages and mounting options, featuring various latch and lens styles. The casing is made in the USA with a robust build and a thick seal for durability in dusty or wet environments, it suits installation heights from 12 to 22 feet. Final assembly in Ontario, Canada ensures meticulous craftsmanship, making it the ideal lighting solution for your needs.

Application

This unit excels in industrial, commercial and agricultural settings where protection against water and dust is crucial. It thrives in applications such as washbays, dairy barns, sheep barns, horse barns, pig barns, welding factories, concrete factories, car washes, and more. Recommended for installation heights ranging from 12 to 22 feet, it's an exceptional choice for demanding environments.

Features

- Configurations exceeding 140 lm/w
- Robust LED boards made in-house by JW LED Inc.
- Standard 0-10V dimming for control/precision

Options

- Wide range of lumen outputs
- Variety of lens option's
- Customizable color temperature or CRI values
- Pre-wired whips (Specify in ordering code if required)

Mounting

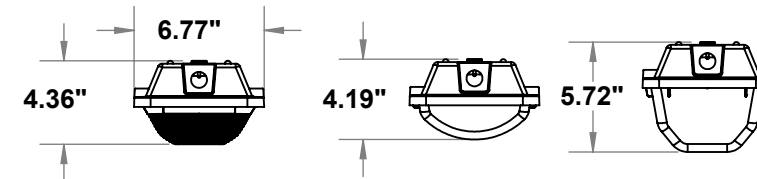
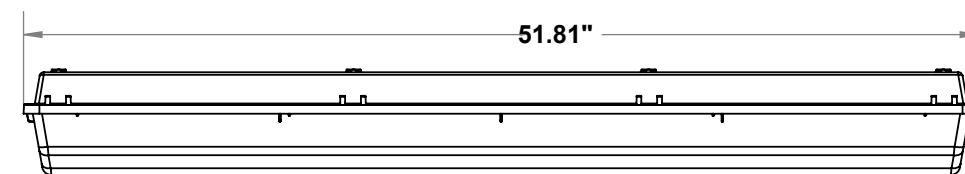
- Surface mount (This unit can be mounted directly to any ceiling or wall)
- Suspension mount (Chain mounting compatible by default)

Approvals

Approved for use in Canada and USA, QPS Certified, NSF Rated Components, Neema 4x rated

Warranty

Standard 5 year warranty, view our warranty policy for full details



Ordering Guide

Example: LZS4-8C40K178L-347D1NW-FRPMMB

LZS4	CRI	CCT	Lumens	Voltage	Driver	0-10V Wiring	Lens	Latches	Mounting
	8C 80	30K 3000K	178L 17,800 Lumens	UNV 120-277V	D1 0-10V 1%	NW Not Wired for DIM	CR Clear Ribbed	PM POM (Nylon Latches)	MB Surface/Chain Mount Brackets
9C 90	40K 4000K	164L 16,400 Lumens	347 347V		PW Pre-Wired for DIM	FR Frosted Ribbed	SS Stainless Steel Latches	NM No Mount Bracket's	
	50K 5000K	114L 11,400 Lumens				CS Clear Smooth			
	65K 6500K	090L 9,000 Lumens				FS Frosted Smooth			

Options

- Blank None
- RTP Retail Packaging
- CD2 2' Whip Pre-Wired (Black)
- CD3 3' Whip Pre-Wired (Black)
- SN1 PIR Motion Sensor
- SN2 PIR Motion Sensor (IP66)

Specification Chart

Lumens	Watts	Color	CRI
17,800	122	5000K	80
16,400	113	5000K	80
11,400	78	5000K	80
9,000	62	5000K	80

Testing is based on ambient 25c. As nominal calculations, actual outputs may vary based on product configurations. We reserve the right to correct any printing errors or mistakes in our tables



LZ Series

Vaportight Standard 8' Body

9,000 - 17,800 Lumens



Project: _____
 Location: _____
 Cat.No: _____
 Notes: _____

Product Description

The LZ Series Standard Body 8' fixture is a renowned vaportight fixture, ideal for applications needing extensive coverage on low to high ceilings. It offers versatility with multiple lumen packages and mounting options, featuring various latch and lens styles. The casing is made in the USA with a robust build and a thick seal for durability in dusty or wet environments, it suits installation heights from 12 to 22 feet. Final assembly in Ontario, Canada ensures meticulous craftsmanship, making it the ideal lighting solution for your needs.

Application

This unit excels in industrial, commercial and agricultural settings where protection against water and dust is crucial. It thrives in applications such as washbays, dairy barns, sheep barns, horse barns, cattle barns, welding factories, concrete factories, car washes, and more. Recommended for installation heights ranging from 12 to 22 feet, it's an exceptional choice for demanding environments.

Features

- Configurations exceeding 140 lm/w
- Robust LED boards made in-house by JW LED Inc.
- Standard 0-10V dimming for control/precision

Options

- Wide range of lumen outputs
- Variety of lens option's
- Customizable color temperature or CRI values
- Pre-wired whips (Specify in ordering code if required)

Mounting

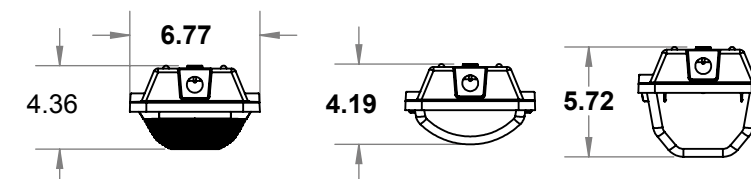
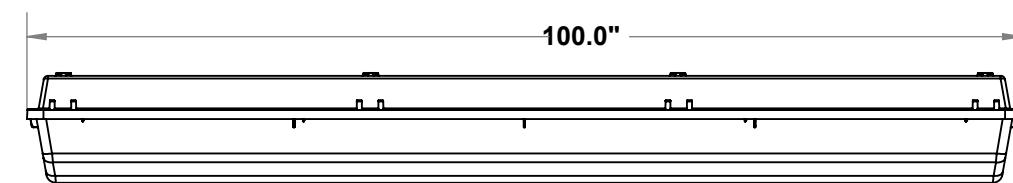
- Surface mount (This unit can be mounted directly to any ceiling or wall)
- Suspension mount (Chain mounting compatible by default)

Approvals

Approved for use in Canada and USA, QPS Certified, NSF Rated Components, Neema 4x rated

Warranty

Standard 5 year warranty, view our warranty policy for full details



Ordering Guide

Example: LZS8-8C40K178L-UNVD1NW-FRPMMB

LZS8	CRI	CCT	Lumens	Voltage	Driver	0-10V Wiring	Lens	Latches	Mounting
	8C 80	30K 3000K	178L 17,800 Lumens	UNV 120-277V	D1 0-10V 1%	NW Not Wired for DIM	CR Clear Ribbed	PM POM (Nylon Latches)	MB Surface/Chain Mount Brackets
9C 90	40K 4000K	164L 16,400 Lumens	347 347V		PW Pre-Wired for DIM	FR Frosted Ribbed	SS Stainless Steel Latches	NM No Mount Bracket's	
	50K 5000K	114L 11,400 Lumens				CS Clear Smooth			
	65K 6500K	090L 9,000 Lumens				FS Frosted Smooth			

Options

- Blank None
- RTP Retail Packaging
- CD2 2' Whip Pre-Wired (Black)
- CD3 3' Whip Pre-Wired (Black)
- SN1 PIR Motion Sensor
- SN2 PIR Motion Sensor (IP66)

Specification Chart

Lumens	Watts	Color	CRI
17,800	122	5000K	80
16,400	113	5000K	80
11,400	78	5000K	80
9,000	62	5000K	80

Testing is based on ambient 25c. As nominal calculations, actual outputs may vary based on product configurations. We reserve the right to correct any printing errors or mistakes in our tables



LZ Series

Vaportight Wide 4' Body

27,000 - 36,000 Lumens



Project: _____
 Location: _____
 Cat.No: _____
 Notes: _____

Product Description

The LZ Series Wide Body 4' fixture is a high output vaportight fixture, ideal for applications needing extensive coverage on high ceilings. It offers versatility with multiple lumen packages, mounting options, lens styles and sensors. The casing is made in the USA with a robust build and a thick seal for durability in dusty or wet environments, it suits installation heights from 16 to 40 feet. Final assembly in Ontario, Canada ensures meticulous craftsmanship, making it the ideal lighting solution for your needs.

Application

This unit excels in industrial, commercial and agricultural settings where protection against water and dust is crucial. Such as washbays, food storage warehouse, food processing plants, warehouses, welding factories, concrete factories, drive sheds, and more. Recommended for installation heights ranging from 16 to 40 feet, it's an exceptional choice for demanding environments.

Features

- Configurations exceeding 140 lm/w
- Robust LED boards made in-house by JW LED Inc.
- Standard 0-10V dimming for control/precision

Options

- Wide range of lumen outputs
- Variety of lens options
- Motion sensor controls
- Pre-wired whips (Specify in ordering code if required)

Mounting

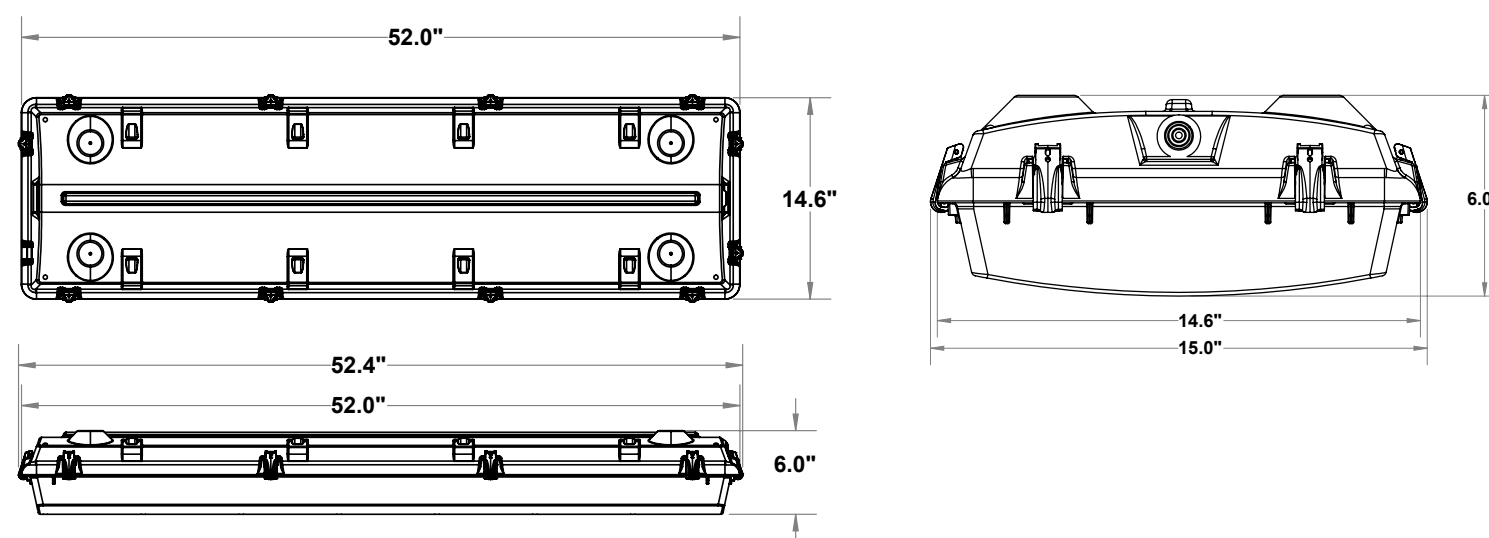
- Surface mount (This unit can be mounted directly to any ceiling or wall)
- Chain mount (Specify in ordering code)

Approvals

Approved for use in Canada and USA, QPS Certified, NSF Rated Components, Neema 4x rated

Warranty

Standard 5 year warranty, view our warranty policy for full details



Ordering Guide

Example: LZW4-8C40K30L-347D1NW-FSSSCM

LZW4	CRI	CCT	Lumens	Voltage	Driver	0-10V Wiring	Lens	Latches	Mounting
	8C 80	30K 3000K	360L 36,000 Lumens	UNV 120-277V	D1 0-10V 1%	NW Not Wired for DIM	FS Frosted Smooth	PM POM (Nylon Latches)	CH Chain Mount Hooks
	9C 90	40K 4000K	330L 33,000 Lumens	347 347V		PW Pre-Wired for DIM	CS Clear Smooth	SS Stainless Steel Latches	SM Surface Mount Hooks
		50K 5000K	300L 30,000 Lumens						HM Heavy Duty Surface Mount Bracket
		65K 6500K	270L 27,000 Lumens						

Options
Blank None
RTP Retail Packaging
CD2 2' Whip Pre-Wired (Black)
CD3 3' Whip Pre-Wired (Black)
SN1 PIR Motion Sensor
SN2 PIR Motion Sensor (IP66)

Specification Chart

Lumens	Watts	Color	CRI
36,000	248	5000K	80
33,000	227	5000K	80
30,000	206	5000K	80
27,000	186	5000K	80

Testing is based on ambient 25c. As nominal calculations, actual outputs may vary based on product configurations. We reserve the right to correct any printing errors or mistakes in our tables



WL Series

Winglight, 4 Foot Narrow Body Vaportight
Poultry Specific Lighting
2,000 - 8,000 Lumens



Project: _____
Location: _____
Cat.No: _____
Notes: _____

Product Description

The Winglight Series is the culmination of extensive research and development in poultry lighting, providing flicker-free illumination with smooth, seamless dimming controlled by a 0-10V signal. The advanced internal circuitry ensures a flawless transition from darkness to light. With various color options and lumen outputs available, the Winglight is designed to enhance poultry performance according to your needs. Additionally, our 0-10V Bridge Controller allows easy integration with any poultry system that uses a 0-10V control signal, ensuring compatibility and precise control for optimal lighting results.

Application

This unit is designed to integrate seamlessly with our 0-10V Winglight Bridge Control, providing a smooth dimming experience with precise control. It's ideal for poultry applications that require accurate and reliable lighting adjustments.

Features

- Flicker free design tested by poultry experts
- Winglight source to sink control compatible
- 0.1% - 100% 0-10V dimming for control/precision
- Control up to 4 separate zones with 250-300 lights max per zone
- Compatible with any poultry control that has a 0-10V control signal

Options

- Wide range of lumen outputs
- Variety of lens option's
- Customizable color temperature or CRI values
- POM or stainless latch options

Mounting

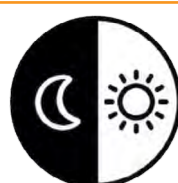
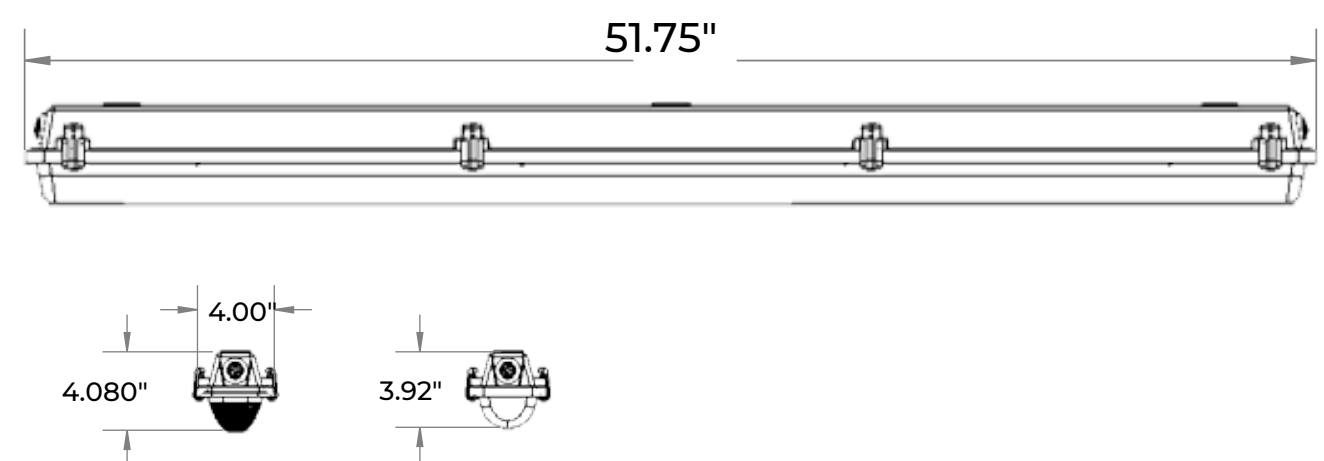
- Surface mount (This unit can be mounted directly to any ceiling or wall)
- Suspension mount (Chain mounting compatible by default)

Approvals

Approved for use in Canada and USA, QPS Certified, NSF Rated Components, Neema 4x rated

Warranty

Standard 5 year warranty, view our warranty policy for full details



Ordering Guide

Example: *WLN4-8C40K055L-UNVD1NW-FRPMMB*

CRI	CCT	Lumens	Voltage	Driver	0-10V Wiring	Lens	Latches	Mounting
WLN4								
8C 80	30K 3000K	080L 8,000 Lumens	UNV 120-277V	D1 0-10V 0.1% Dim.	PW Pre-Wired for DIM	CR Clear Ribbed FR Frosted Ribbed CS Clear Smooth FS Frosted Smooth	PM POM (Nylon Latches) SS Stainless Steel Latches	MB Surface/Chain Mount Brackets NM No Mount Bracket's
9C 90	40K 4000K	055L 5,500 Lumens						
	50K 5000K	040L 4,000 Lumens						
	65K 6500K	020L 2,000 Lumens						

Options

- Blank None
- CD2 2' Whip Pre-Wired (Black)
- CD3 3' Whip Pre-Wired (Black)

Specification Chart

Lumens	Watts	Color	CRI
8,000	56	5000K	80
5,500	37	5000K	80
4,000	27	5000K	80
2,000	14	5000K	80

Testing is based on ambient 25c. As nominal calculations, actual outputs may vary based on product configurations. We reserve the right to correct any printing errors or mistakes in our tables





WL Series

Winglight, 0-10V Dimming Control
Poultry Specific Lighting
1-4 Zone Compatible



Project: _____
Location: _____
Cat.No: _____
Notes: _____

Product Description

Our 0-10V dimming control acts as a seamless bridge between traditional poultry barn controllers and our Winglight luminaires, therefore allowing users to operate lighting schedules and settings right from the main barn controller. It addresses the issue where 0-10V dimmable LED fixtures need a “sink” signal while poultry controllers provide a “source” signal by converting source signals into sink signals. With four independent zones, it enables you to manage lighting across different barns or areas, and its custom program ensures that light output directly corresponds to the percentage set on your poultry controller—so a 50% setting results in 50% light output.

Application

Poultry barns, usually in the poultry barn control room

Features

- 4 zone control compatibility
- Universal compatibility (seamlessly connect your existing poultry barn control)
- 0.1% - 100% 0-10V dimming for control/precision
- Control up to 4 separate zones with 250 lights max per zone
- Easy install and setup (Connect your dimming leads and AC power. That's it)
- Run all of your lighting schedules on your main poultry control.

Options

- Operate each zone separately
- Programmable dimming effects (Done by JW LED Inc.)
- Customizable color temperature or CRI values
- Barn specific light levels and light control

Installation

- Surface mount (This unit can be mounted directly to any ceiling or wall)
- Power the control by connecting AC Line voltage to the L, N and G ports and then connect your 0-10V inputs and outputs. Begin dimming.
- Basic configuration done beforehand by JW LED.

Approvals

Approved for use in Canada and USA

Warranty

Standard 5 year warranty, view our warranty policy for full details



Ordering Guide

Example: *WLCT-UNV42P*

WLCT -	AC Voltage	Number Of Zones	Number Of Lights Per Zone
UNV	120-277V	4 4 Zones 3 3 Zones 2 2 Zones 1 1 Zones	2P Max 250 Fixtures Per Zone





FL Series

LED Flood Light With Occupancy Sensor

6,500 - 26,000 Lumens

Project: _____

Location: _____

Cat.No: _____

Notes: _____

Product Description

The FL Series flood lights are perfect for outdoor lighting, available in 50 to 200 Watt options. Their U-bracket support makes installation quick and easy, and a built-in occupancy sensor saves energy by automatically turning the light off during the day and on at night. Pre-wired with a 5-foot cord and male plug, they can be effortlessly plugged in or wired into a junction box. Designed for broad, efficient illumination, the FL Series combines convenience with excellent performance.

Application

This unit excels in outdoor industrial, commercial and agricultural settings where protection against Canadian climate is crucial. Installed in areas such as parking lots, barn yards, outdoor hockey rinks, volleyball courts, general yards and many more. It's an exceptional choice for outdoor environments.

Features

- Yoke mount for easy installation
- Occupancy Sensor/Daylight Sensor
- Wide light spread for your outdoor projects

Options

- Wide range of lumen outputs
- Various wattages
- Pre-wired cords for quick installation

Mounting

- Surface mount (This unit can be mounted directly to any ceiling or wall)

Approvals

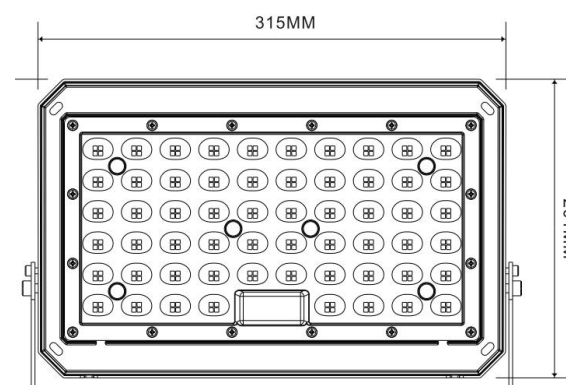
Approved for use in Canada and USA

Warranty

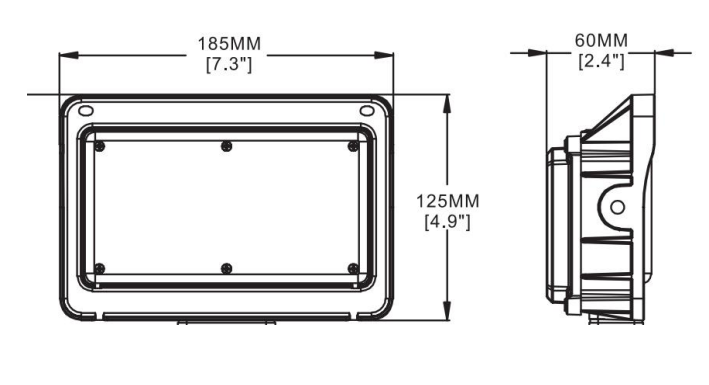
Standard 5 year warranty, view our warranty policy for full details



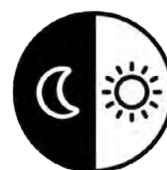
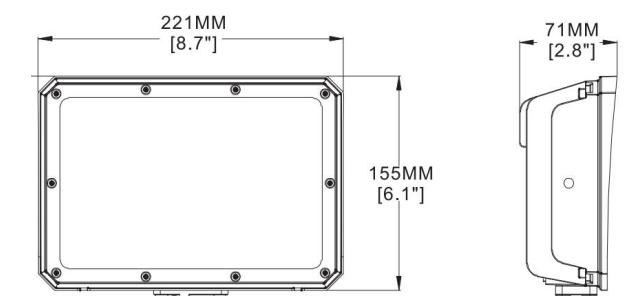
150/200 Watt



50 Watt



80/100 Watt



Ordering Guide

Example: FL050-7C50K065L-UNVC1-CPUBPS

FL	Type	CRI	CCT	Lumens	Voltage	Wiring
	200 200 Watts	7C 70CRI	50K 5000K	260L 26,000 Lumens (200 Watt)	UNV 120-277V	C1 5' Cord With Plug
	150 150 Watts			195L 19,500 Lumens (150 Watt)		
	100 100 Watts			130L 13,000 Lumens (100 Watt)		
	080 080 Watts			104L 10,400 Lumens (80 Watt)		
	050 050 Watts			065L 6,500 Lumens (50 Watt)		

Lens	Mounting	Control	Options
CP Clear Polycarbonate	UB U-Bracket	PS Dusk to Dawn Sensor	(Blank) None RTP Retail Packaging

Specification Chart

Lumens	Watts	Color	CRI
6,500	50	5000K	80
10,400	80	5000K	80
13,000	100	5000K	80
19,500	150	5000K	80
26,000	200	5000K	80

Testing is based on ambient 25c. As nominal calculations, actual outputs may vary based on product configurations. We reserve the right to correct any printing errors or mistakes in our tables



IN Series

Linkable LED Strip Lights

1,900-2,800 Lumens

Project: _____
 Location: _____
 Cat.No: _____
 Notes: _____

Product Description

The IN Series luminaires are the epitome of versatility and ease of installation. Designed for general use, these fixtures feature a user-friendly plug-and-play setup that makes them ideal for retail environments, where quick and effortless installation is key. With a range of color and cord options, you can effortlessly customize the lighting to match any aesthetic. Plus, the IN Series luminaires can be seamlessly linked together to create a continuous row, offering a sleek and adaptable lighting solution for any space.

Application

These fixtures are incredibly versatile, making them suitable for a wide range of settings. Whether you need lighting under shelves, above workbenches, in offices, lunchrooms, or under cabinets, these luminaires fit the bill. They are also perfect for illuminating under racking, storage rooms, and containers, among many other applications.

Features

- Easy plug and play setup
- User friendly install
- Sleek design

Options

- 3 foot power cable with on/off switch
- 12, 39 and 59 inch extension/jumper cords
- Row mounting (Maximum 9pcs 4 foot or 13pcs 2 foot per row)
- 2 foot or 4 foot lengths available

Mounting

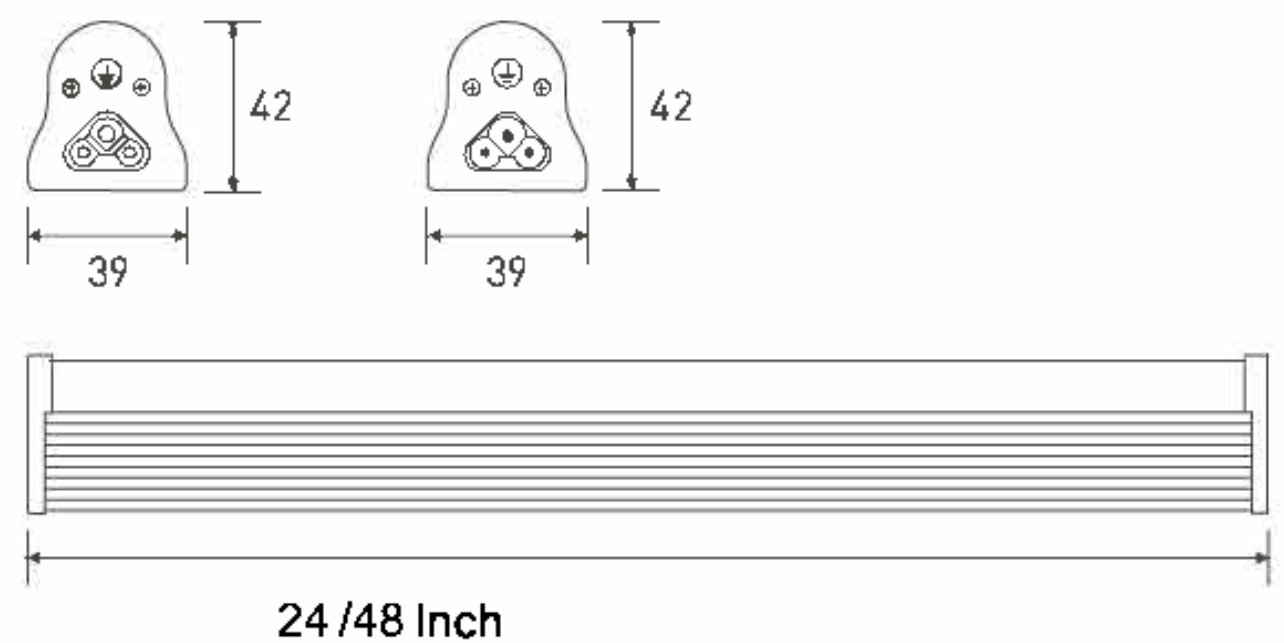
- Surface mount (This unit can be mounted directly to any ceiling or wall)
- Simple installation (Mounting clips included)
- Row mounting (Maximum 9pcs 4 foot or 13pcs 2 foot per row)

Approvals

Approved for use in Canada and USA

Warranty

5 year warranty, view our warranty policy for full details



Ordering Guide

Example: IN4-8C50K028L-UNVND-FSSM

IN	Fixture Length	CRI	CCT	Lumens	Voltage	Driver	Lens	Mounting
	4 4 Foot 4 2 Foot	8C 80 CRI	50K 5000K 65K 6500K	028L 2,800 Lumens (4 Foot) 019L 1,900 Lumens (2 Foot)	UNV 120-277V	ND Non Dimmable	FS Frosted Smooth Lens	SM Surface Mount Clips Included

Accessories



Order Code: WIR0010
 3 foot power cord with a on/off switch and male plug



Order Code: WIR0012
 39 Inch jumper/extension cord



Order Code: WIR0011
 59 Inch jumper/extension cord



Order Code: WIR0013
 12 Inch jumper/extension cord

Specification Chart

Lumens	Watts	Color	CRI
2,800	22	5000K	80
1,900	15	5000K	80

Testing is based on ambient 25c. As nominal calculations, actual outputs may vary based on product configurations. We reserve the right to correct any printing errors or mistakes in our tables



RL Series

T5 LED Lamp

2,800 Lumens

Project: _____

Location: _____

Cat.No: _____

Notes: _____

Product Description

The RL Series lamps provide an energy-efficient and cost-effective upgrade from traditional fluorescent lighting. Installation is straightforward, requiring only the bypassing of the ballast and direct wiring to the tombstones. With a wide range of color options, lens styles, and lumen outputs, these lamps are versatile and can seamlessly replace existing fluorescent or LED bulbs in virtually any fixture. Ideal for enhancing both performance and aesthetics, the RL Series combines ease of installation with flexible options to suit your specific lighting needs.

Application

This unit excels in any application that has existing lamps that you want to replace. Typically used in areas such as retail stores, offices, hallways, garages, shops, basements and many more commercial, industrial or agricultural settings.

Features

- Very high efficacy of 160 LM/Watt
- Ballast bypass, direct line voltage

Options

- Various lens style and color options
- Single end powered
- Double end powered

Mounting

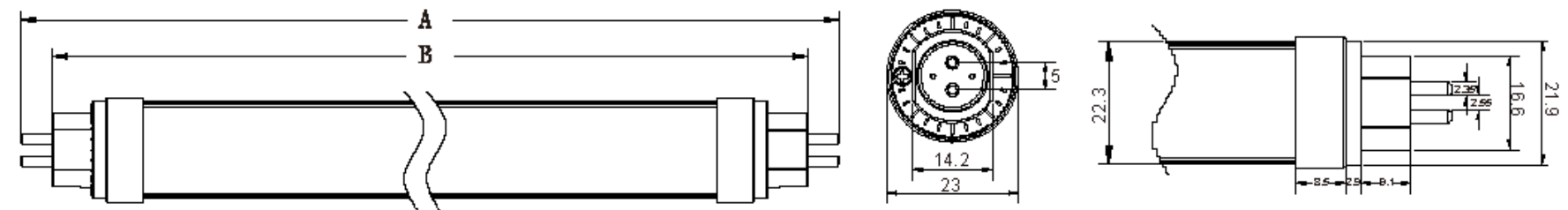
- Lamp replacements, for use with T5 Tombstones
- For single end power, Non shunted tombstones are required
- For double end power, Shunted tombstones are suggested

Approvals

Approved for use in Canada and USA

Warranty

Standard 5 year warranty, view our warranty policy for full details



	2feet	4feet
	548 Dimension	1148 Dimension
A:	562mm	1162mm
B:	548mm	1148mm



Ordering Guide

Example: *RLT054-8C50K028L-UNVNDSE-FST5*

RL	Type	Length	CRI	CCT	Lumens	Voltage	Driver	Wiring
	T05 T5 Lamp	4 4 Foot	8C 80 CRI	50K 5000K	028L 2,800 Lumens	UNV 120-277V	ND Non-Dimmable	SE Single End Power (Frosted Lens) DE Double End Power (Clear Lens)

Lens	Pin Set
FS Frosted (Single End Power) CS Clear Smooth (Double End Power)	T5 Standard T5 Pins

Specification Chart

Lumens	Watts	Color	CRI
2,800	18	5000K	80

Testing is based on ambient 25c. As nominal calculations, actual outputs may vary based on product configurations. We reserve the right to correct any printing errors or mistakes in our tables



RL Series

T8 LED Lamp

1,400-2,800 Lumens

Project: _____

Location: _____

Cat.No: _____

Notes: _____

Product Description

The RL Series lamps provide an energy-efficient and cost-effective upgrade from traditional fluorescent lighting. Installation is straightforward, requiring only the bypassing of the ballast and direct wiring to the tombstones. With a wide range of color options, lens styles, and lumen outputs, these lamps are versatile and can seamlessly replace existing fluorescent or LED bulbs in virtually any fixture. Ideal for enhancing both performance and aesthetics, the RL Series combines ease of installation with flexible options to suit your specific lighting needs.

Application

This unit excels in any application that has existing lamps that you want to replace. Typically used in areas such as retail stores, offices, hallways, garages, shops, basements and many more commercial, industrial or agricultural settings.

Features

- Very high efficacy of 160 LM/Watt
- Ballast bypass, direct line voltage

Options

- Various lens style and color options
- Single end powered
- Double end powered

Mounting

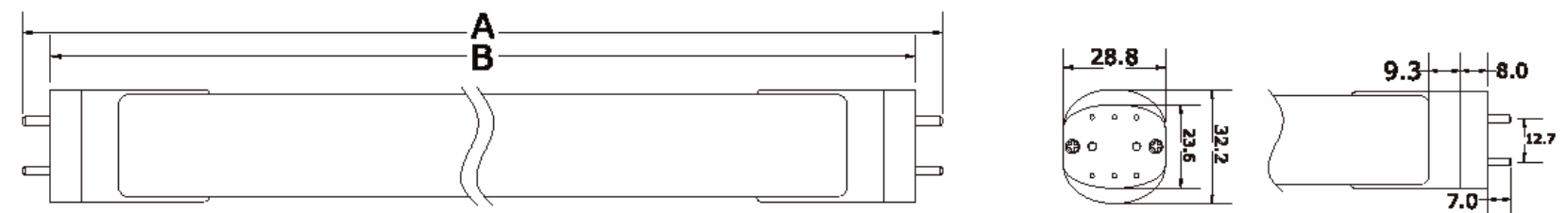
- Lamp replacements, for use with T8 Tombstones
- For single end power, Non shunted tombstones are required
- For double end power, Shunted tombstones are suggested

Approvals

Approved for use in Canada and USA

Warranty

Standard 5 year warranty, view our warranty policy for full details



	2feet	4feet
	588 Dimension	1198 Dimension
A:	602mm	1213mm
B:	588mm	1198mm



Ordering Guide

Example: *RLT084-8C50K028L-UNVNDSE-FST8*

RL	Type	Length	CRI	CCT	Lumens	Voltage	Driver	Wiring
	T08 T8 Lamp	4 4 Foot 3 3 Foot 2 2 Foot	8C 80 CRI	50K 5000K 65K 6500K (4 Foot)	028L 2,800 Lumens (4 Foot) 018L 1,800 Lumens (3 Foot) 014L 1,400 Lumens (2 Foot)	UNV 120-277V	ND Non-Dimmable	SE Single End Power DE Double End Power (Clear Lens)

Lens	Pin Set
FS Frosted Smooth (Single End Power) CS Clear Smooth (4 Foot)	T8 Standard T8 Pins

Accessories



Order Code: ELC0015
T8 slide in tombstone non shunted



Order Code: ELC0014
T8 snap in tombstone non shunted

Specification Chart

Lumens	Watts	Color	CRI
2,800	18	5000K	80
1,800	14	5000K	80
1,400	10	5000K	80

Testing is based on ambient 25c. As nominal calculations, actual outputs may vary based on product configurations. We reserve the right to correct any printing errors or mistakes in our tables



GR Series

4 Foot LED Grow Light

40 UMOL Per Second

Project: _____
 Location: _____
 Cat.No: _____
 Notes: _____

Product Description

The GR Series grow light is designed to support the growth of green plants and flowers. Easy to install under a shelf or in a growing area, it includes mounting clips for secure attachment with screws. Its plug-and-play feature makes it user-friendly for all gardeners. For best results, position the light 1 to 3 feet above your plants. Ideal for growing green plants before flowering, it helps produce robust plants with excellent yields.

Application

These fixtures are versatile and can be used in various settings, including under shelves, in greenhouses, above flowering pots, on grow light stands, and in growing rooms. Essentially, wherever your plants are, the grow light can be there too!

Features

- Easy plug and play setup
- 40 UMOL per second
- Water tight design

Options

- 5 foot power cable
- 2 foot extension/jumper cord
- Retail package kits

Mounting

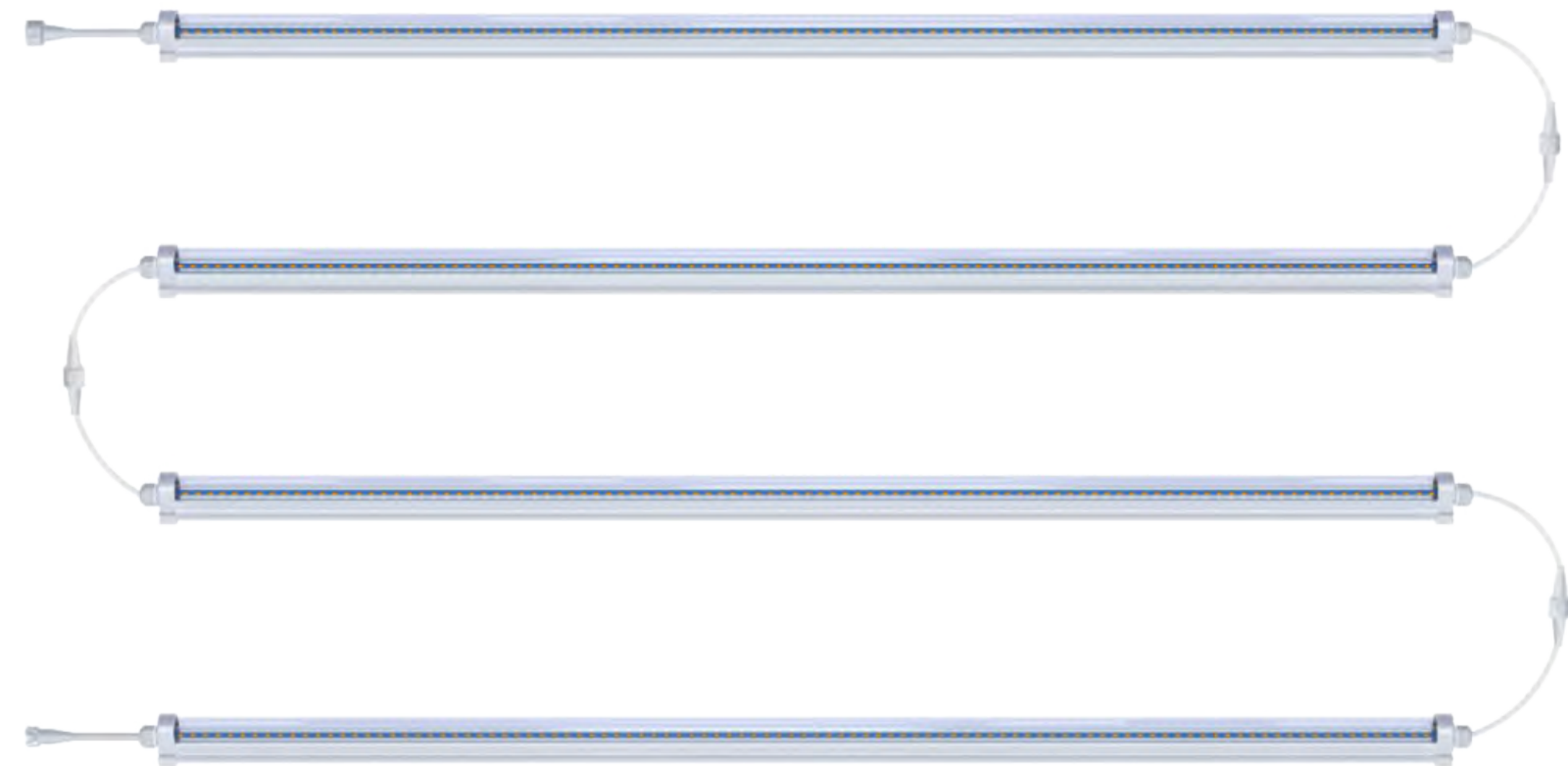
- Surface mount (This unit can be mounted directly to any ceiling or wall)
- Simple installation (Mounting clips included)

Approvals

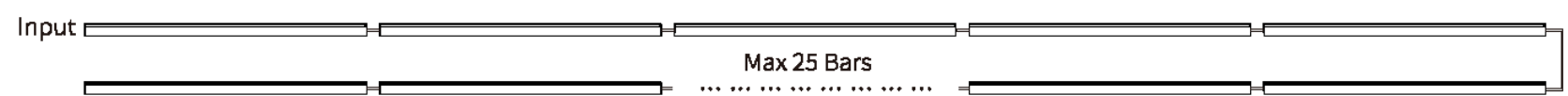
Approved for use in Canada and USA, IP65 Rated

Warranty

3 year warranty, view our warranty policy for full details



Daisy chain up to 25 bars on a single power cord.

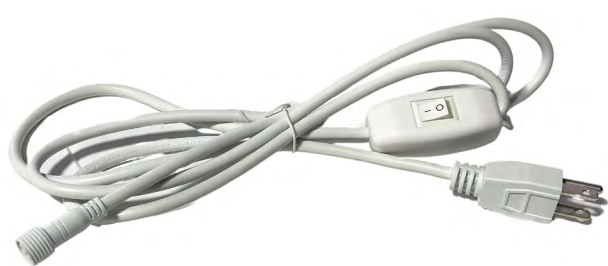


Ordering Guide

Example: GR4-40PK-UNV18-CSSM

GR	Lamp	PPF	Light Color	Voltage	Watts	Lens	Mounting	Options
	4 4ft	40 40 UMOL Per Second	PK Pink Light	UNV 120-277V	18 18 Watts	CS Clear Smooth Lens	SM Surface Mount	(Blank) None RTP Retail Pack (includes 2pcs 4' units, 2pcs power cord, 2pcs extension cord, retail packaging)

Accessories



Order Code: WIR0008
 5 foot power cord with a on/off switch and male plug



Order Code: WIR0009
 2 foot jumper/extension cord

Specification Chart

PPF	Watts	Color	CRI
40 UMOL	18	Pink	

Testing is based on ambient 25c. As nominal calculations, actual outputs may vary based on product configurations. We reserve the right to correct any printing errors or mistakes in our tables



CB Series

LED Replacement Corn Bulb

2,600 - 13,000 Lumens

Project: _____
 Location: _____
 Cat.No: _____
 Notes: _____

Product Description

The CB Series replacement bulbs offer a cost-effective LED lighting solution perfect for a variety of general-use areas. Specifically engineered to replace outdated fluorescent lamps, these bulbs deliver a powerful upgrade with a high lumen output. Their competitive pricing and energy efficiency make them an excellent choice for retail sales. Additionally, their straightforward installation ensures ease of use for both you and your customers, making them a smart addition to your product offering.

Application

These bulbs are a great choice for any application where you need for light than a general lightbulb can provide. Shed's, garages, shop's, work areas, storage and many more. Basically a great fit for your existing light bulb sockets.

Features

- Easy installation
- Energy Efficient
- Instant Start
- 360 degree light spread

Options

- 12-24V or 120-277V
- Variety of lumen outputs to choose from
- Upgrade from fluorescent to LED

Mounting

- Screw in (E26 Base)
- Screw in (E39 Base)

Approvals

Approved for use in Canada and USA. Rated for use in dry or damp locations.

Warranty

3 Year Warranty, view our warranty policy for full details



Ordering Guide

Example: **CB060-8C50K078L-UNVNDNS-CSE26**

CB	Wattage	CRI	CCT	Lumens	Voltage ²	Driver	Enclosure Approval
	100 100 Watt 060 60 Watt 030 30 Watt 020 20 watt	8C 80 CRI	50K 5000K	130L 13,000 Lumens (100 Watt) 078L 7,800 Lumens (60 Watt) 039L 3,900 Lumens (30 Watt) 026L 2,600 Lumens (20 Watt)	UNV 120-277V (100,60 Watt) 122 12-24V (20,30 Watt)	ND Non-Dimmable	NS Non Suitable in Fully Enclosed Fixture

Lens		Base	
CS Clear Smooth	(60,100 Watt)	E26 E26 Base	(60,30,20 Watt)
CS Frosted Smooth	(20,30 Watt)	E39 E39 Base	(100 Watt)

Specification Chart

Lumens	Watts	Color	CRI
13,000	100	5000K	80
7,800	60	5000K	80
3,900	30	5000K	80
2,600	20	5000K	80

Testing is based on ambient 25c. As nominal calculations, actual outputs may vary based on product configurations. We reserve the right to correct any printing errors or mistakes in our tables



GL Series

LED Replacement Bulb

800 - 4,500 Lumens

Project: _____

Location: _____

Cat.No: _____

Notes: _____

Product Description

The GL Series replacement bulbs provide a cost-effective LED lighting solution tailored for a variety of general use areas. Designed to meet diverse lighting needs, our range includes options from soft, ambient illumination to bright, wide spread light. These bulbs are an excellent choice to sell in your store, thanks to their competitive pricing and energy efficiency. Additionally, their straightforward installation process ensures ease of use for both you and your customers.

Application

These bulbs are a great choice for residential applications such as bedrooms, living rooms, hallways, traditional light fixtures, offices, cafeterias, garages, sheds and many more. Basically a great fit for your existing light bulb sockets .

Features

- Easy installation
- Energy Efficient
- Instant Start
- 360 degree light spread

Options

- Wide range of lumen outputs
- Multiple color temperatures to choose from
- Variety of lumen outputs to choose from
- Any greenlite product is available to purchase through JW LED Inc.

Mounting

- Screw in (E26 Base)

Approvals

Approved for use in Canada and USA, suitable for use in an enclosed luminaire. Rated for use in dry or damp locations.

Warranty

Greenlite warranty : 3 years based on usage of 3 hours per day



Ordering Guide

Example: *GL36-8C50K045L-UNVNDST-E26*

GL	Wattage	CRI	CCT	Lumens	Voltage ²	Driver	Enclosure Approval	Base
	09 9 watt 15 15 watt 18 18 watt 20 20 watt 29 29 watt 36 36 watt	8C 80	50K 5000K 30K 3000K	045L 4,500 Lumens (36 Watt) 030L 3,000 Lumens (29 Watt) 026L 2,600 Lumens (20 Watt) 020L 2,000 Lumens (18 Watt) 016L 1,600 Lumens (15 Watt) 008L 800 Lumens (9 Watt)	UNV 120-277V	ND Non-Dimmable (36, 29 Watt) DM Dimmable	ST Suitable in Enclosed Fixture	E26 E26 Base

Specification Chart

Lumens	Watts	Color	CRI
800	9	5000K	80
1,600	15	5000K	80
2,000	18	5000K	80
2,600	20	5000K	80
3,000	29	5000K	80
4,500	36	5000K	80

Testing is based on ambient 25c. As nominal calculations, actual outputs may vary based on product configurations. We reserve the right to correct any printing errors or mistakes in our tables



JW

LED

CANADIAN MADE LIGHTING PRODUCTS
COMMERCIAL • AGRICULTURAL • INDUSTRIAL

WWW.JWLED.CA